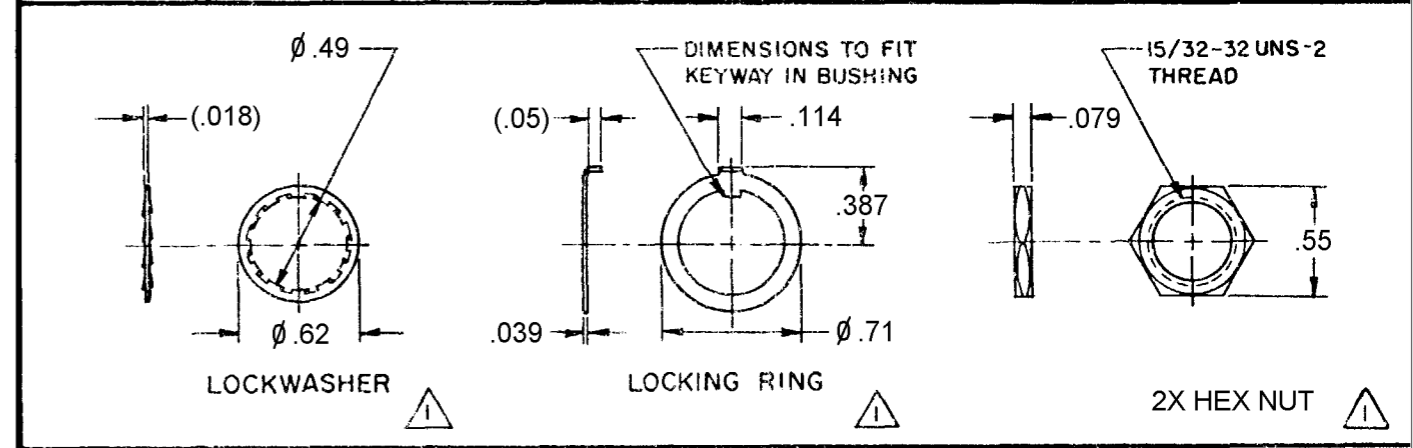


CAT. LIST.	CIRCUIT WITH TOGGLE IN			ELECTRICAL DATA
	EXTREME POSITION KEYWAY SIDE 1-2	CENTER	EXTREME POSITION OPPOSITE SIDE 2-3	
11TS95-1	ON	OFF	ON	L311 10A 277 VAC, 20A 125 VAC 3/4 HP 125, 250 VAC
11TS95-2	OFF	NONE	ON	
11TS95-3	ON	NONE	ON	
11TS95-5	MOM ON	OFF	ON	
11TS95-6	MOM ON	NONE	OFF	
11TS95-7	MOM ON	OFF	MOM ON	
11TS95-4	MOM OFF	NONE	ON	



- NOTES
- ① FURNISHED UNASSEMBLED
 - 2 - VISUAL DIFFERENCES IN TERMINAL SHAPES AND PLATING POSSIBLE
 - 3 - TO ORDER WITHOUT HARDWARE ADD (-NH) SUFFIX TO CATALOG LISTING
 - 4 - TO ORDER BULK PACKAGED (25 SWITCHES PER BAG, HARDWARE IN BULK) ADD (-BP) SUFFIX TO CATALOG LISTING, MINIMUM SHIPPING INCREMENT 500.

THIRD ANGLE PROJECTION	
SCALE	FULL
DO NOT SCALE PRINT	
UNLESS OTHERWISE SPECIFIED TOLERANCES ARE	
ONE PLACE	(.0) ±.030
TWO PLACE	(.00) ±.015
THREE PLACE	(.000) ±.005
ANGLES	±
WEIGHT	

CATALOG LISTING
11TS95 SERIES CHART 1
 PAGE 1 OF 1
 RELEASE NO. CO 29429(PR)
 REPLACES
 ISSUE
M
18
 REVISIONS
 A 206642
 C S L 24 OCT 02
 B 0001201
 J L H 20 AUG 03
 C 0001734
 C S L 13 OCT 03
 D 0006064
 A S 18 JUN 04
 CHECK
 18 JUN 04
 AK
 24 OCT 02
 SAV
 24 OCT 02
 C S L
 DRAWN
 RASTER